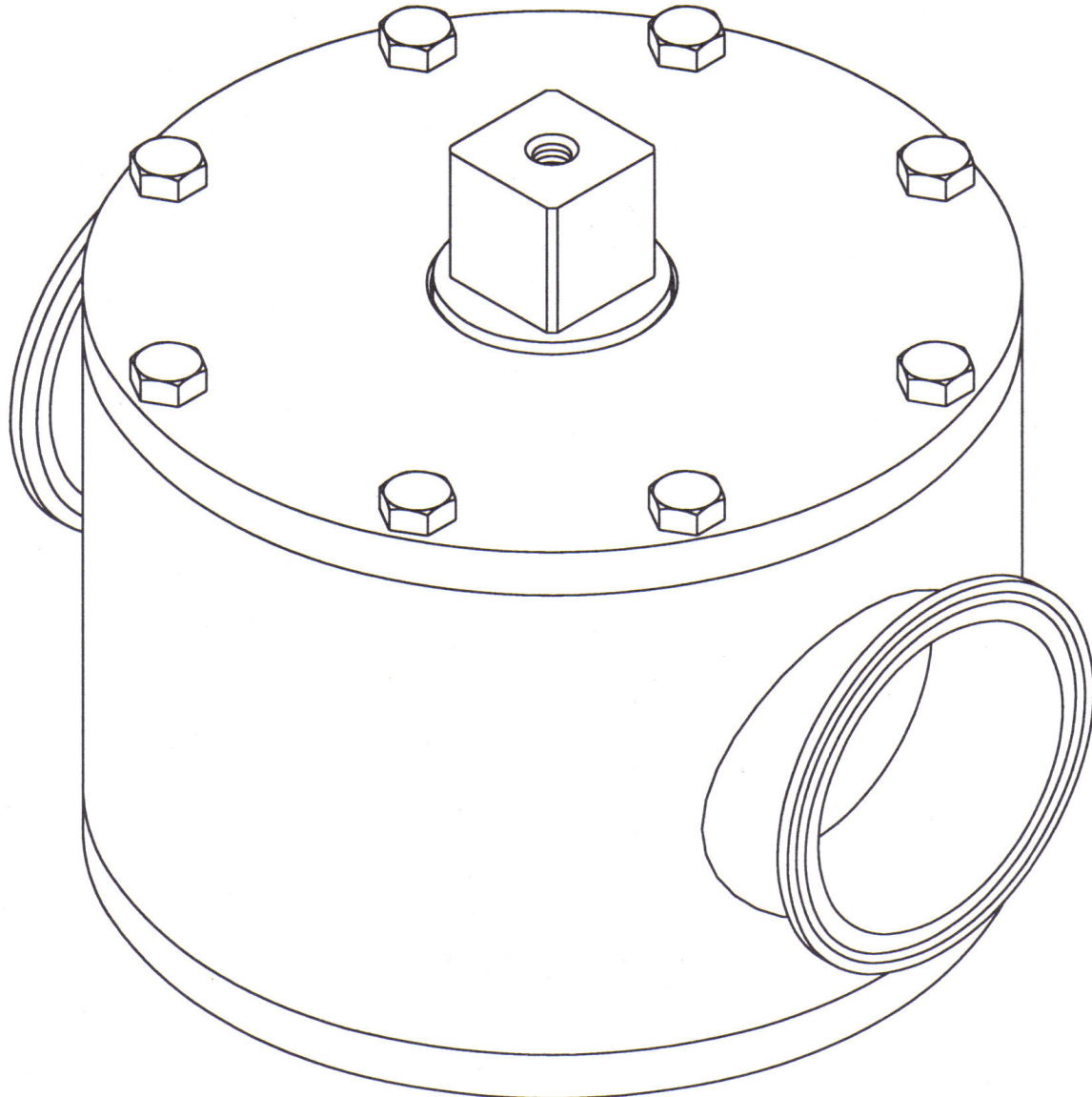
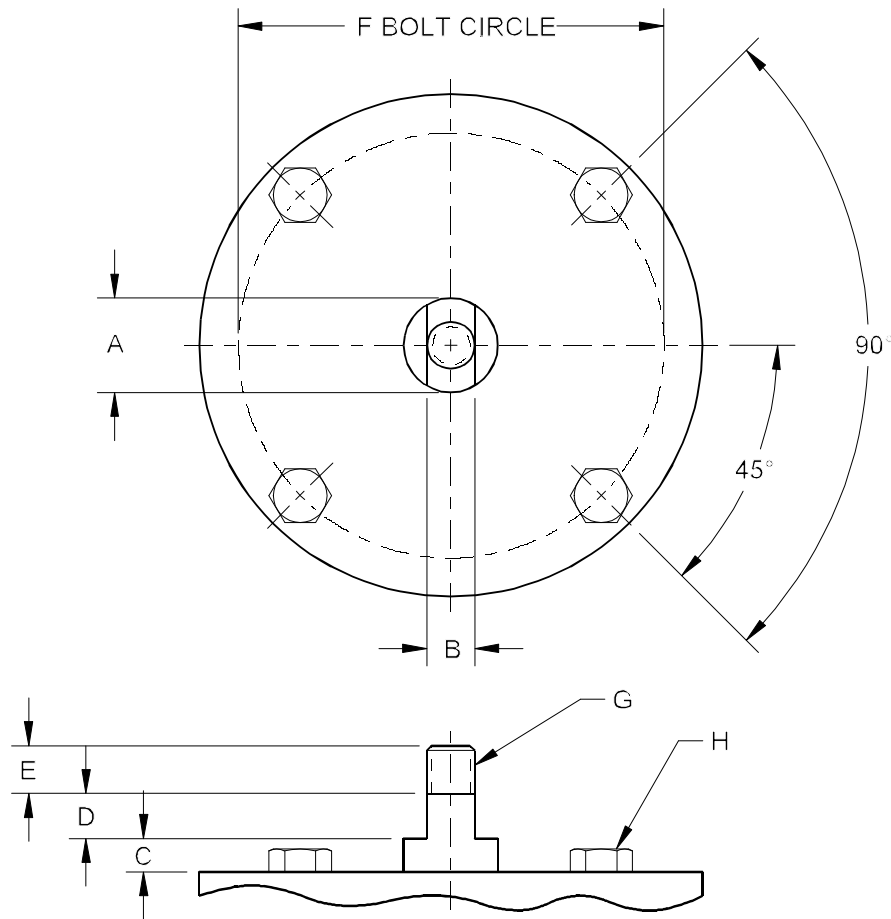


# VALVE STEM AND MOUNTING DIMENSIONS



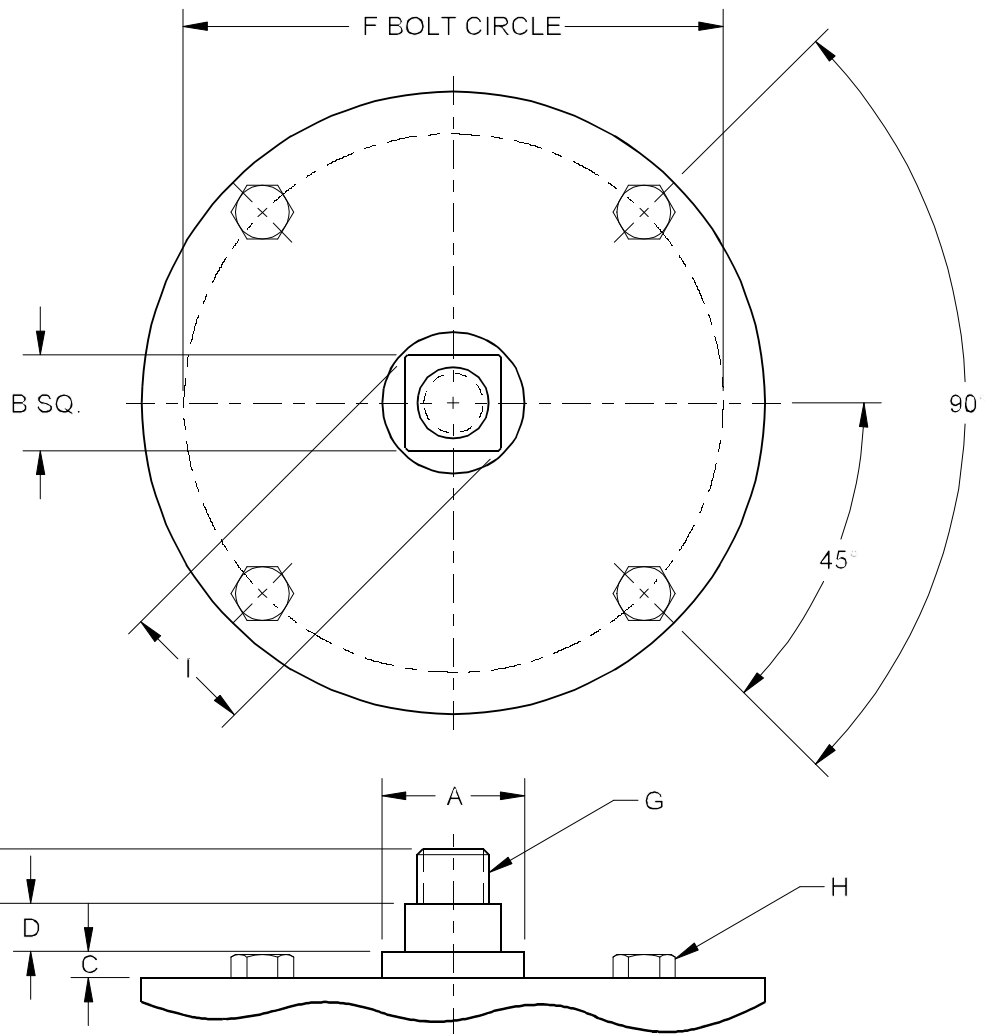
**Quality Controls, Inc.**

200 TILTON ROAD  
NORTHFIELD, NEW HAMPSHIRE 03276  
(603) 286-3321 • FAX: (603) 286-7648



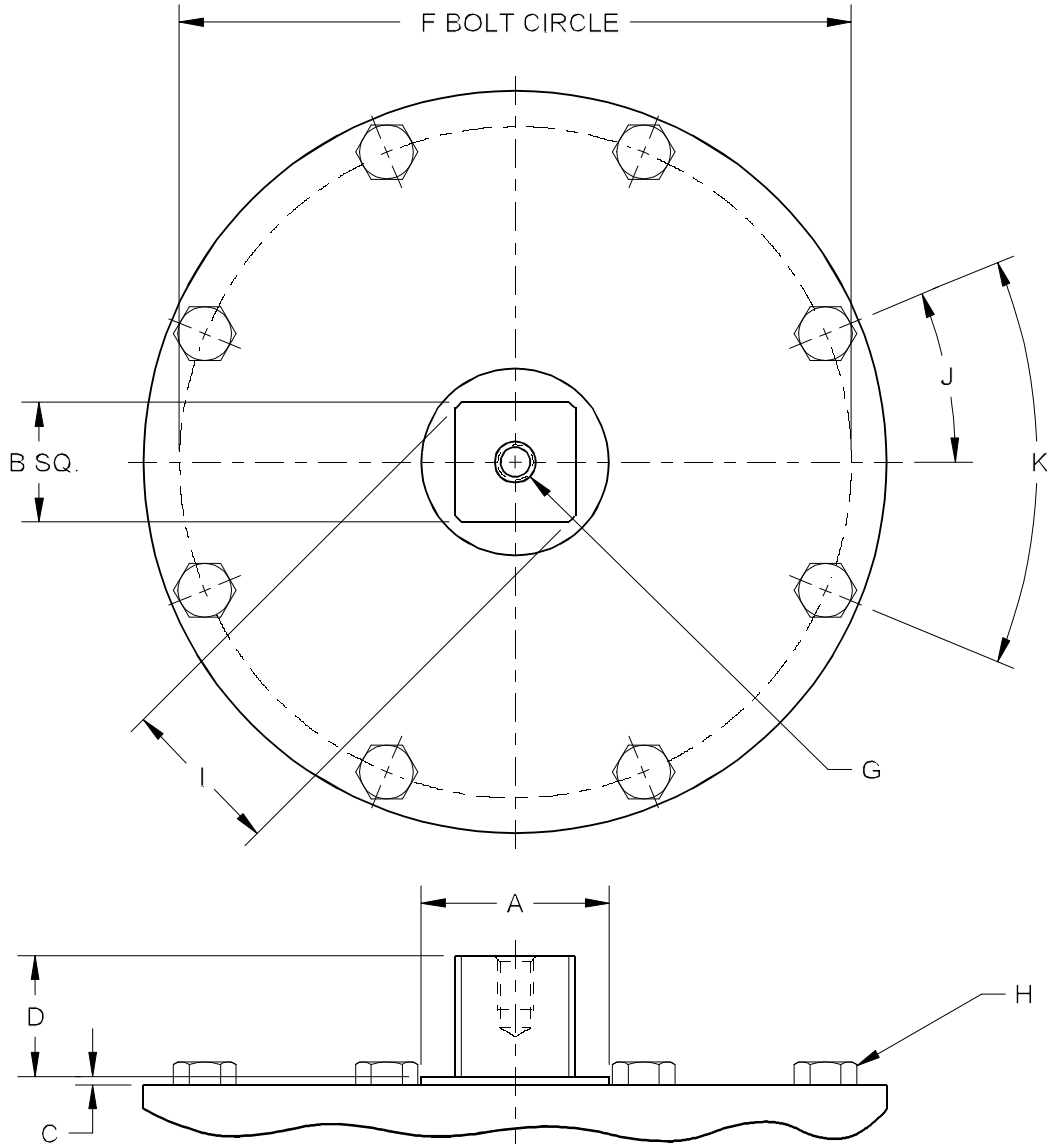
1/4" THRU 2" ROTOR STEM DIMENSIONS								
VALVE SIZE	A	B	C	D	E	F	G	H
1/4"	.369	.250 .245	.19	.25	.34	1.437 *1.500	1/4-20 UNC	(4) 10-32 HEX HEAD CAP SCREW
3/8"	.369	.250 .245	.19	.25	.34	1.437 *1.500	1/4-20 UNC	(4) 10-32 HEX HEAD CAP SCREW
1/2"	.369	.250 .245	.19	.25	.34	1.437 *1.500	1/4-20 UNC	(4) 10-32 HEX HEAD CAP SCREW
3/4"	.494	.250 .245	.30	.25	.34	2.000 *2.125	1/4-20 UNC	(4) 1/4-20 HEX HEAD CAP SCREW
1"	.615	.375 .370	.30	.25	.34	2.750 *2.875	3/8-16 UNC	(4) 5/16-18 HEX HEAD CAP SCREW
1 1/4"	.615	.375 .370	.30	.25	.34	2.750 *2.875	3/8-16 UNC	(4) 5/16-18 HEX HEAD CAP SCREW
1 1/2"	.990	.500 .495	.30	.50	.50	3.812	1/2-13 UNC	(4) 5/16-18 HEX HEAD CAP SCREW
2"	.990	.500 .495	.34	.50	.50	4.437	1/2-13 UNC	(4) 3/8-16 HEX HEAD CAP SCREW

\* Valves with bottom cap.  
 Dimensions and tolerances may vary due to design changes. For exact dimensions contact factory.



2" FULL PORT & 2½" ROTOR STEM DIMENSIONS									
VALVE SIZE	A	B	C	D	E	F	G	H	I
2" ND*	1.240	.750 .748	.34	.50	.50	5.250	1/2-13 UNC	(4) 3/8-16 HEX HEAD CAP SCREW	1.00
2½"	1.490	1.000 .998	.26	.50	.57	5.625	3/4-10 UNC	(4) 3/8-16 HEX HEAD CAP SCREW	1.34

\* This valve is supplied by special order (see previous chart for standard 2" valve dimensions).  
 Dimensions and tolerances may vary due to design changes. For exact dimensions contact factory.



3" THRU 8" ROTOR STEM DIMENSIONS										
VALVE SIZE	A	B	C	D	F	G	H	I	J	K
3"	1.962	1.250 1.246	.07	1.26	7.000	3/8-16 UNC	(8) 3/8-16 HEX HEAD CAP SCREW	1.68	22°30'	45°
4"	1.962	1.250 1.246	.22	1.26	9.125	3/8-16 UNC	(8) 1/2-13 HEX HEAD CAP SCREW	1.68	22°30'	45°
6"	2.462	1.750 1.746	.16	1.88	12.375	1/2-13 UNC	(8) 5/8-11 HEX HEAD CAP SCREW	2.34	22°30'	45°
8"	2.956	1.998 1.995	.30	2.00	16.625	1/2-13 UNC	(12) 3/4-10 HEX HEAD CAP SCREW	2.75	15°	30°

Dimensions and tolerances may vary due to design changes. For exact dimensions contact factory.